

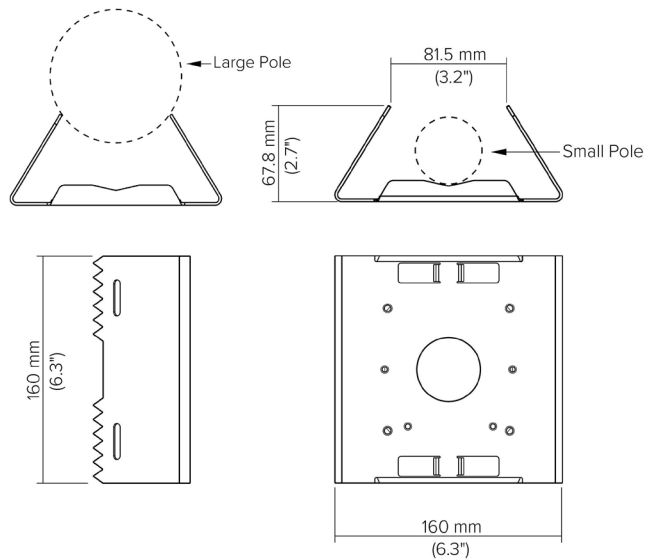
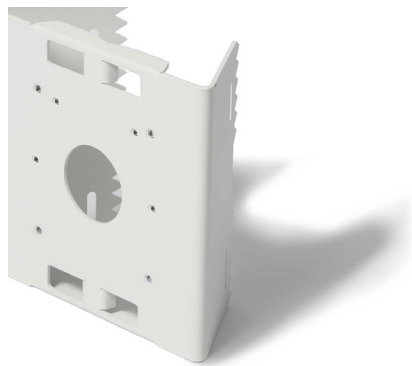


**ACC-MNT-9**

# Pole Mount Adapter, 2nd Generation

For mounting a camera to a circular pole. Suitable for poles up to 152.4mm (6") in diameter.  
 Minimum pole diameter of 1.25" (32mm).

**Compatible with the Bullet Series, SV11, and ACC-MNT-2, ACC-MNT-3, or ACC-MNT-7**



**Technical Specifications**

<b>Model</b>	ACC-MNT-9	<b>Weight</b>	742g (1.64 lbs)
<b>Material</b>	Steel	<b>Box Dimensions</b>	194x135x269mm (7.6x5.3x10.6")
<b>Dimensions</b>	160x160x68mm (6.3x6.3x2.7")	<b>Box Weight</b>	1190g (2.62 lbs)
<b>Color</b>	White	<b>Box Includes</b>	Adapter plate, Metal Straps (2 sets) Fasteners for compatible mounts