

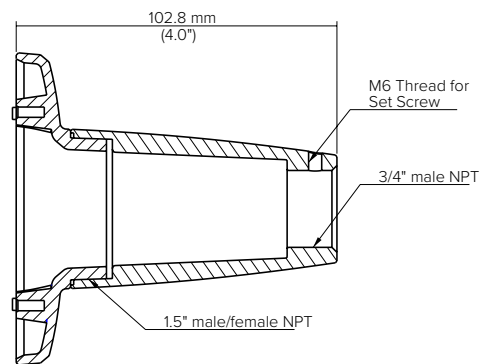
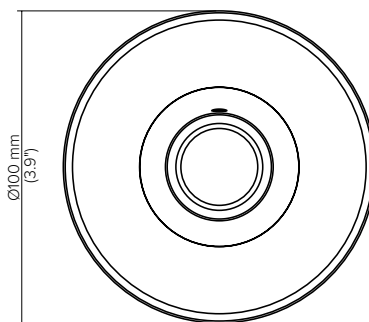


ACC-MNT-5

Mini Pendant Cap Mount Kit

Two-piece threaded cap for mounting a Mini camera to 3/4" NPT threaded drop pipe. Cap piece can be removed and mounted independently with its 1.5" male NPT thread.

Compatible with Mini Series, D40, and ACC-MNT-2



Technical Specifications

Model	ACC-MNT-5	Weight	240g (8.4oz)
Material	Aluminum Alloy	Box Dimensions	864x864x940mm (34x34x37")
Dimensions	Ø100x102.8mm (Ø3.9x4.0")	Box Weight	312g (11oz)
Color	Dark Grey	Box Includes	Two threaded interlocking aluminum parts, fasteners, set screw & hex key